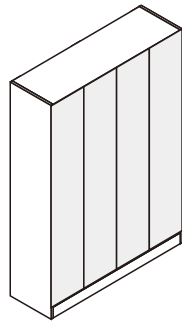


905-4# 2.1m Wardrobe

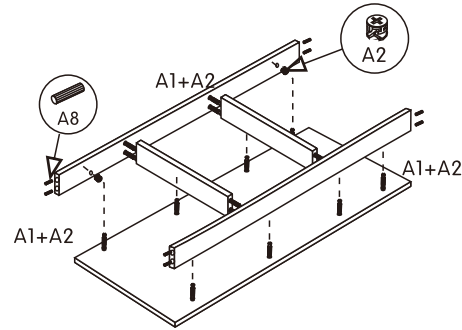
| | | | | |
|------------------------|--------------------------|-----------------------|------------------------|-----------------------------|
| A1 52pcs 三合一 | A2 52pcs 三合一 饼 | A3 8pcs 二合一 | A4 8pcs 小三合一 | A5 4pcs 3.5x35自攻丝 |
|------------------------|--------------------------|-----------------------|------------------------|-----------------------------|

| | | | | |
|-------------------------------|------------------------|--------------------------|-----------------------|------------------------|
| A6 110pcs 3.5x14自攻丝 | A7 9pcs 4x20 | A8 8pcs 8x30木削 | A9 4pcs 挂衣扣 | A10 2pcs 挂衣杆 |
|-------------------------------|------------------------|--------------------------|-----------------------|------------------------|

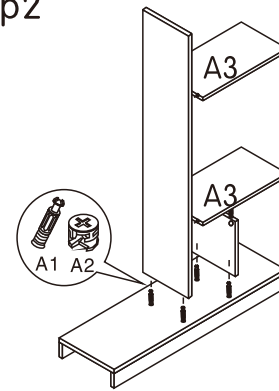
| | | | | |
|-----------------------|-------------------------|-------------------------|------------------------|-----------------------|
| A11 1pcs 导轨 | A12 1pcs 单铁拉手 | A13 2pcs 5x40 | A14 10pcs 脚钉 | A15 8pcs 门铰 |
|-----------------------|-------------------------|-------------------------|------------------------|-----------------------|



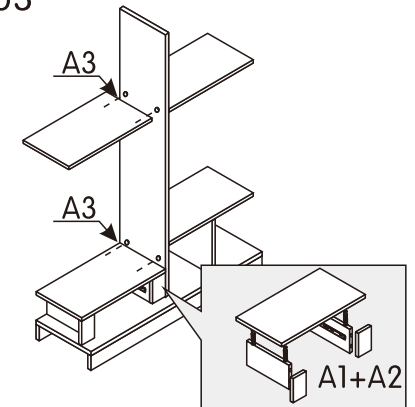
Step1



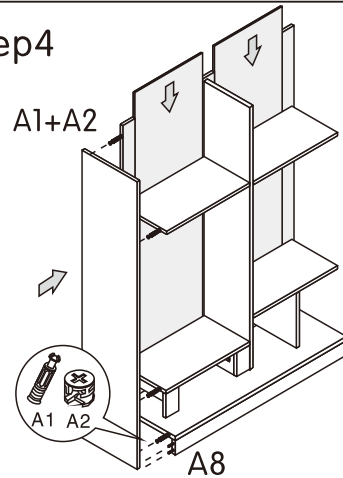
Step2



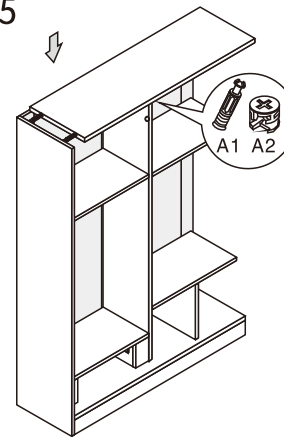
Step3



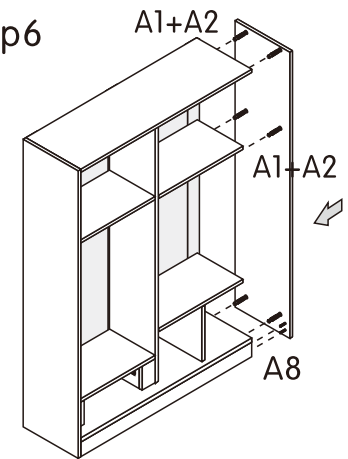
Step4



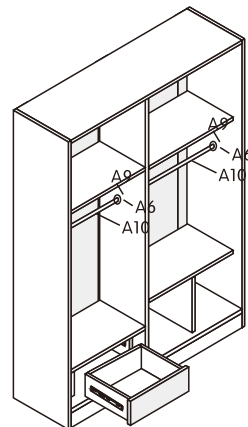
Step5



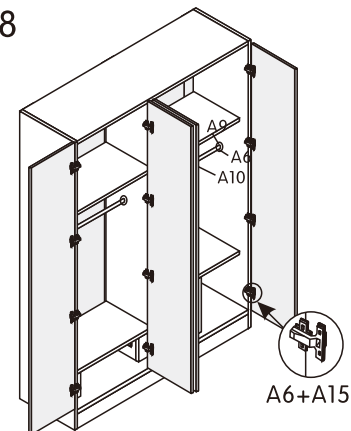
Step6



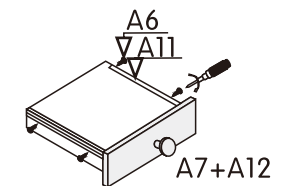
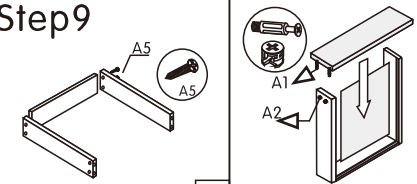
Step7



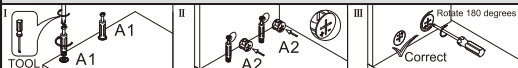
Step8



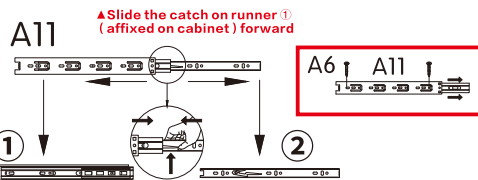
Step9



Disassembly and installation of accessories



SLIDE RAIL INSTALLATION



▲Next, slide in runner ② (affixed on cabinet) as indicated in the diagram