

# ASSEMBLY INSTRUCTION





Ax28



Bx28



Cx2



Dx4



Ex4



Fx2



Hx4



Gx1



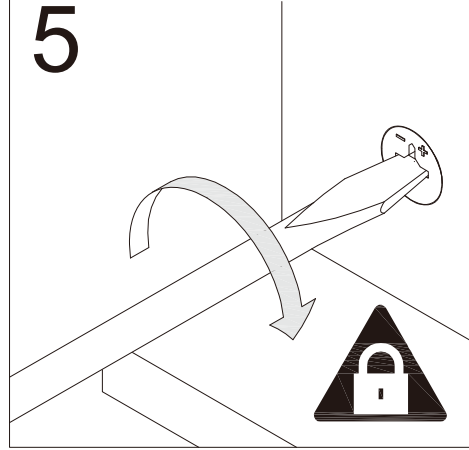
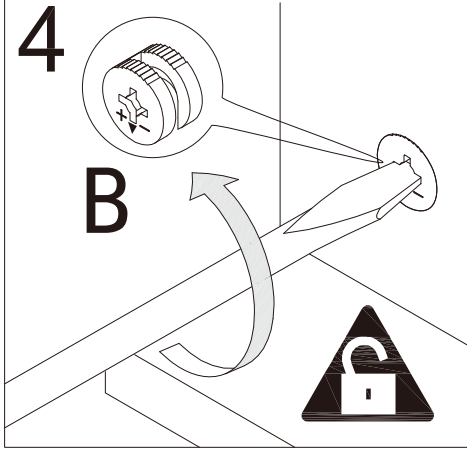
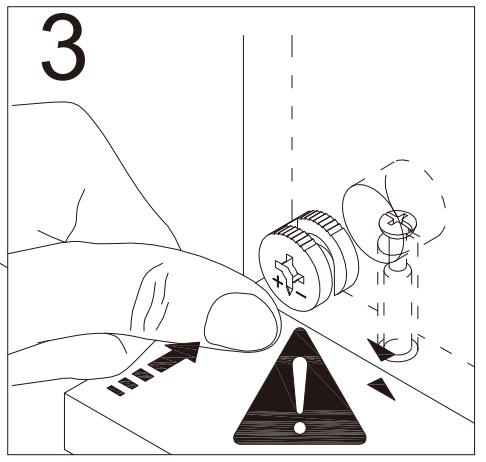
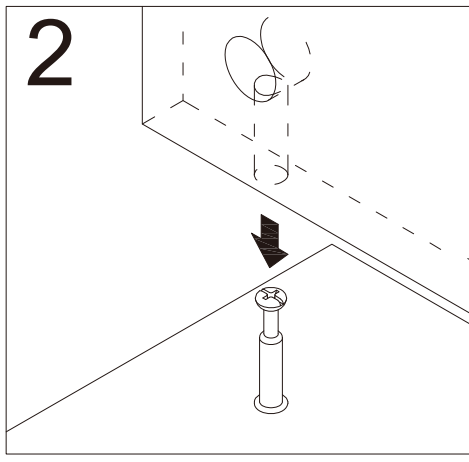
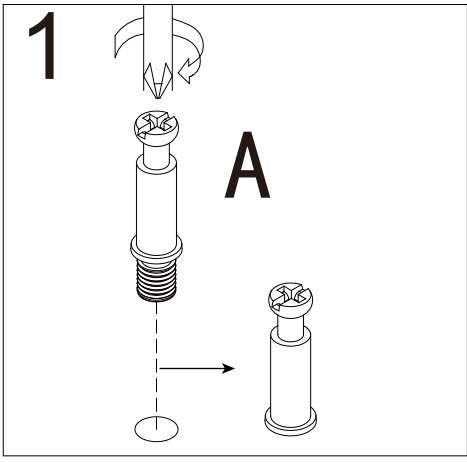
Jx1

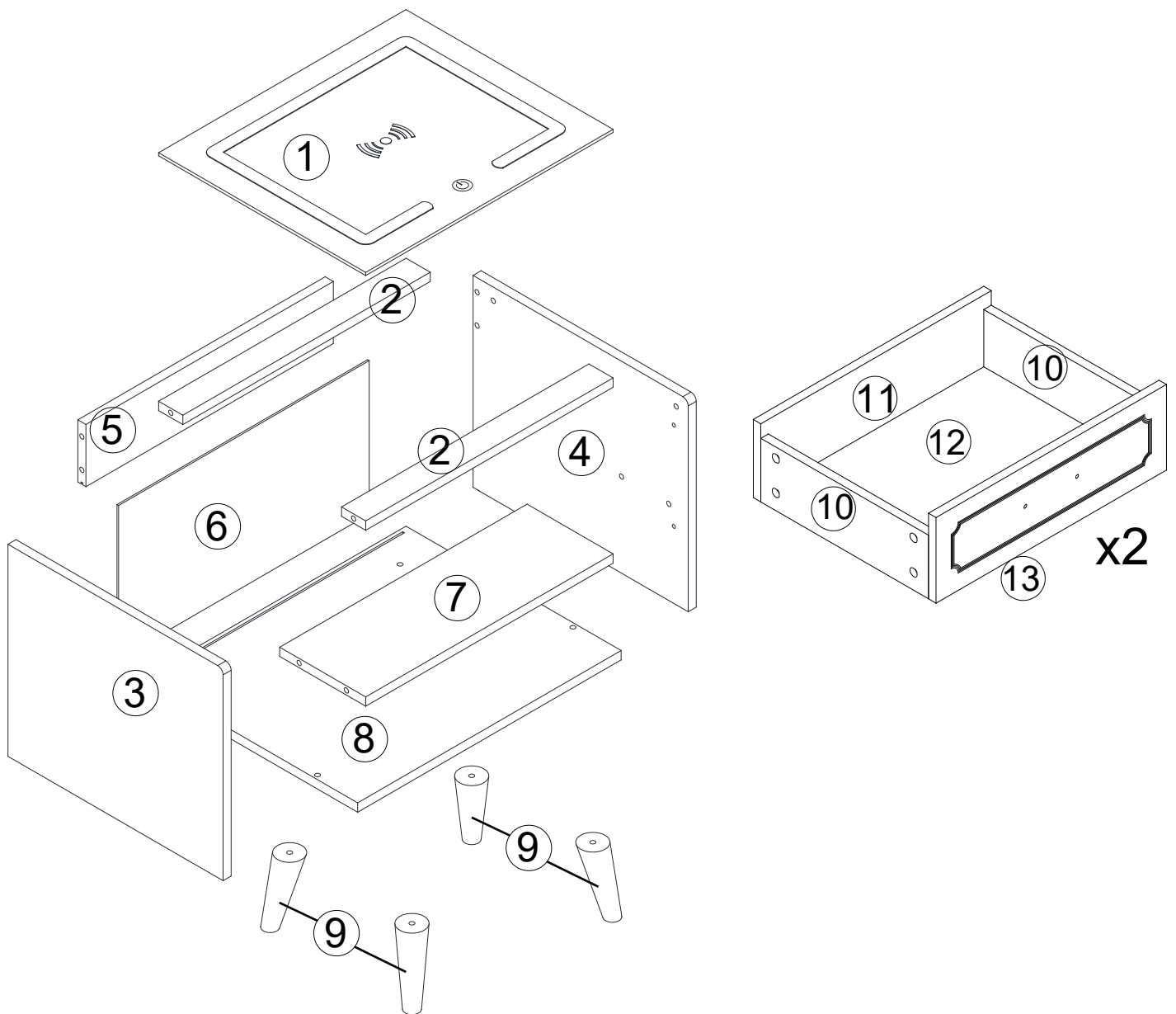


Kx4



Mx4

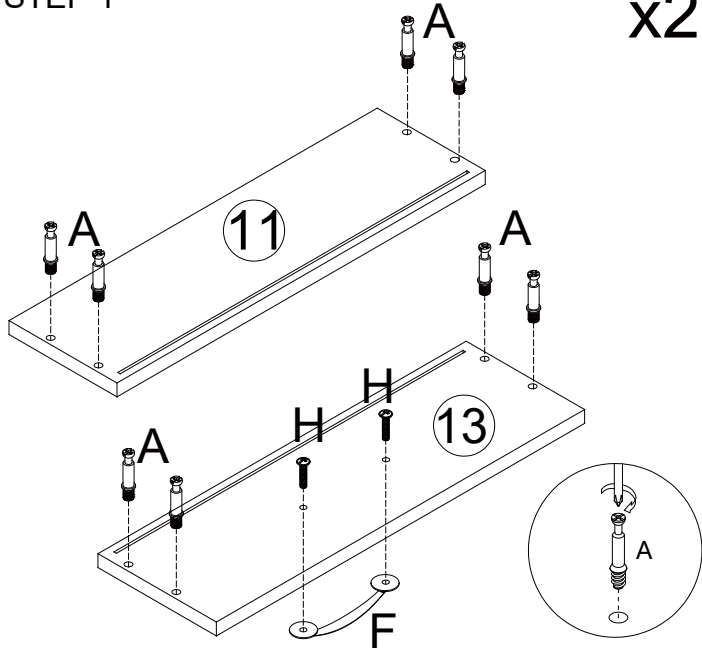




1 - x1	6 - x1	11 - x2
2 - x2	7 - x1	12 - x2
3 - x1	8 - x1	13 - x2
4 - x1	9 - x4	
5 - x1	10 - x4	

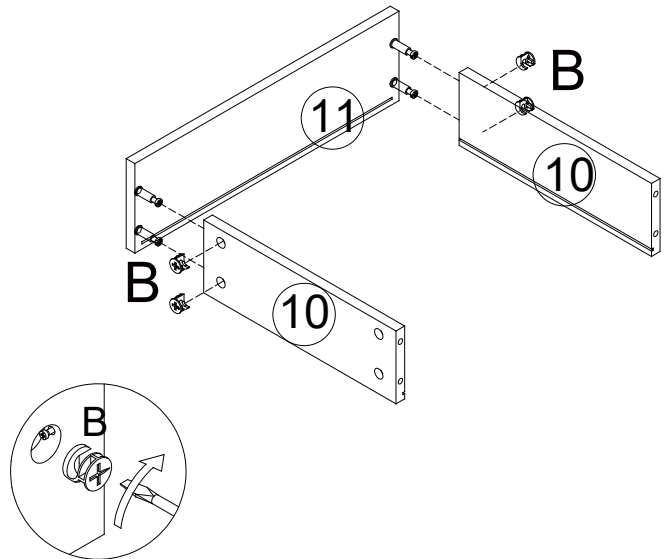
STEP 1

x2



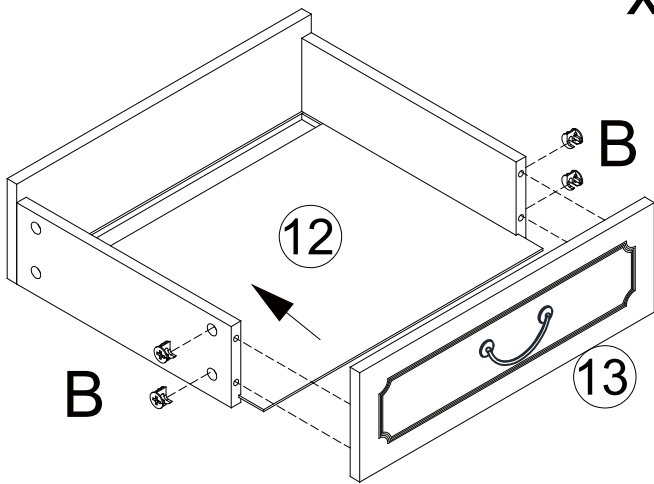
STEP 2

x2

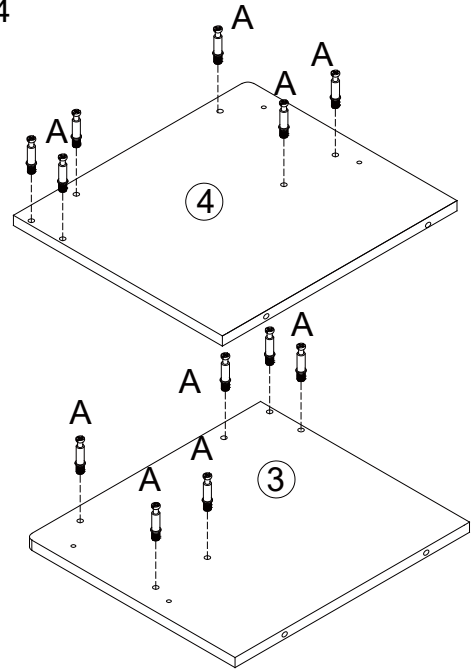


STEP 3

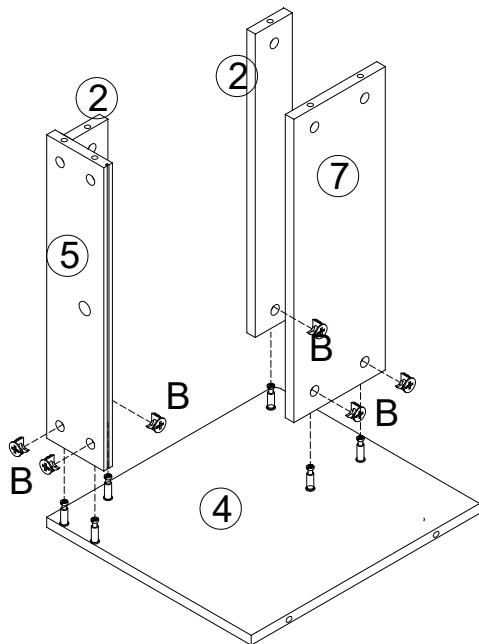
x2



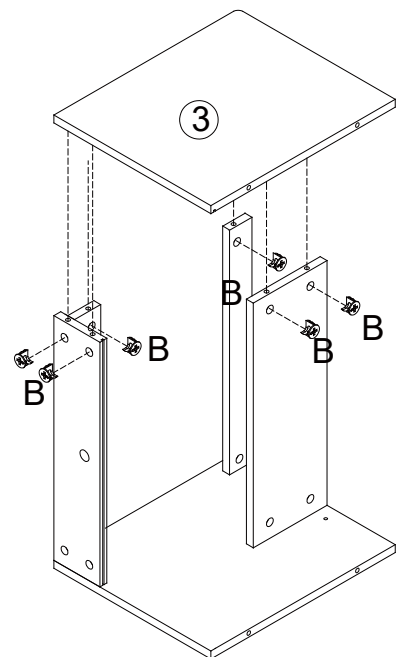
STEP 4



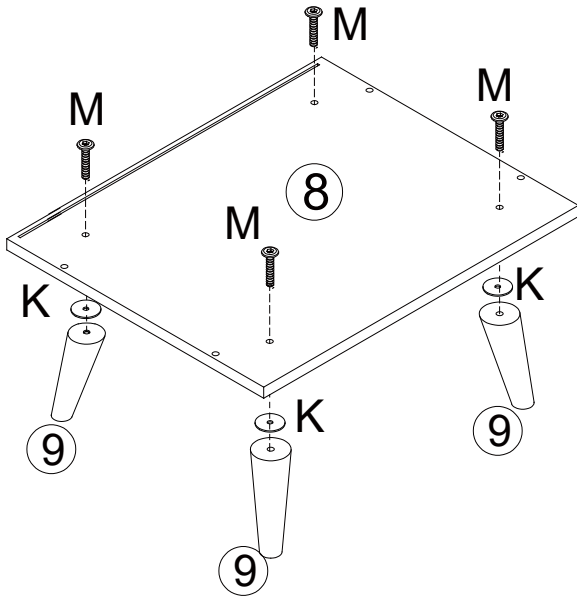
STEP 5



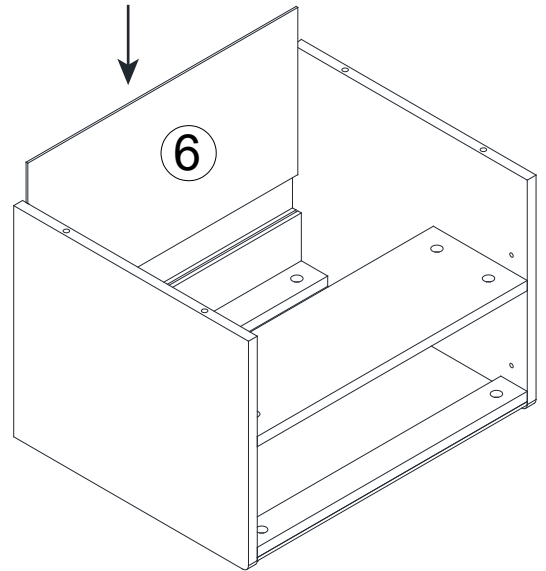
STEP 6



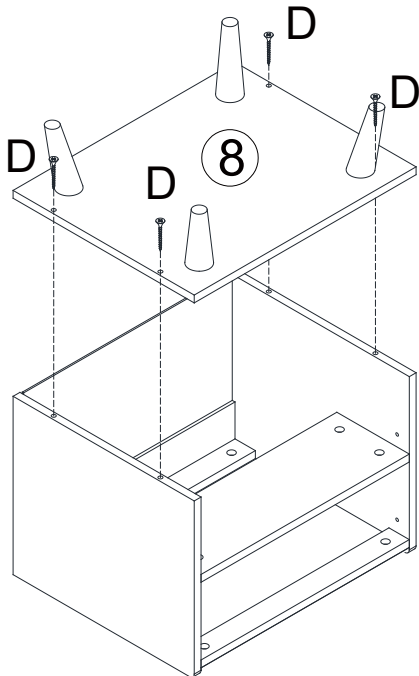
STEP 7



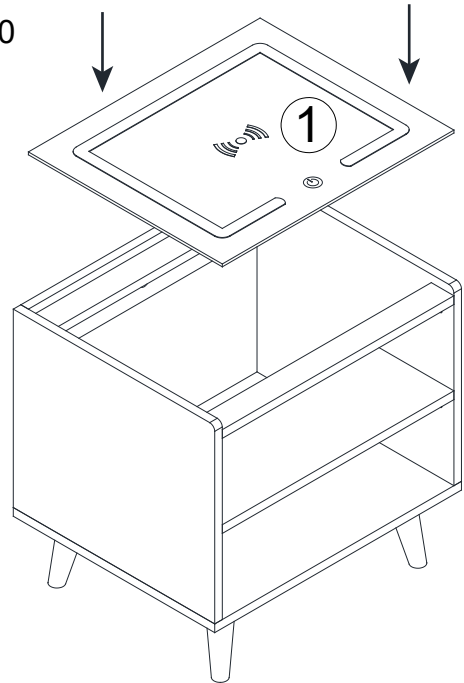
STEP 8



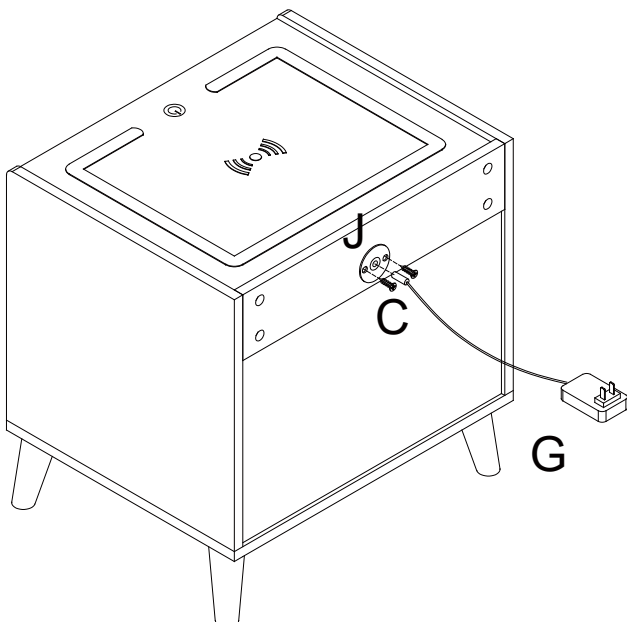
STEP 9



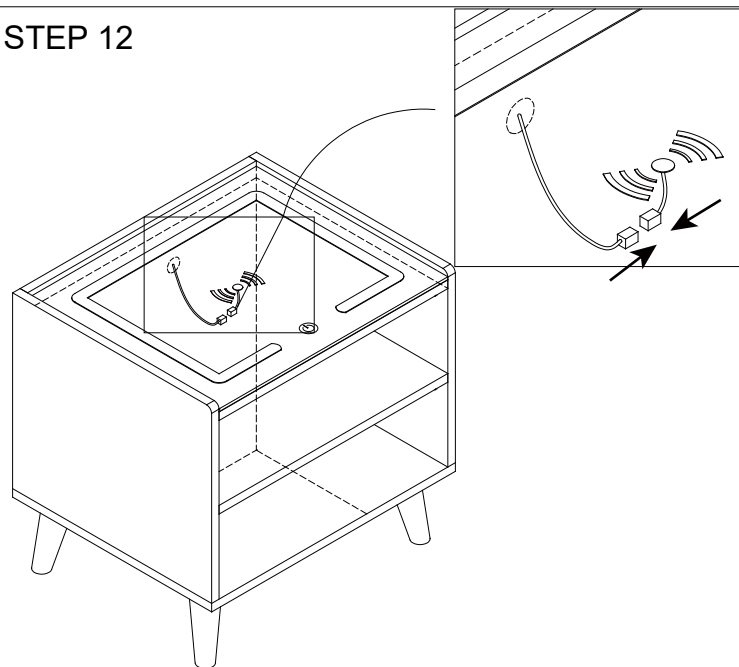
STEP 10



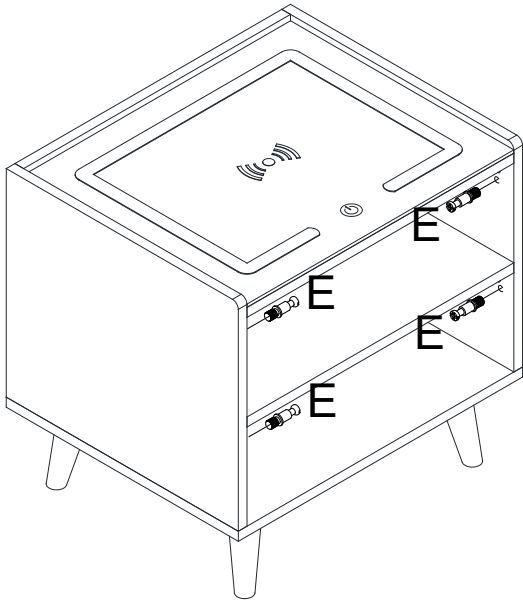
STEP 11



STEP 12



STEP 13



STEP 14

