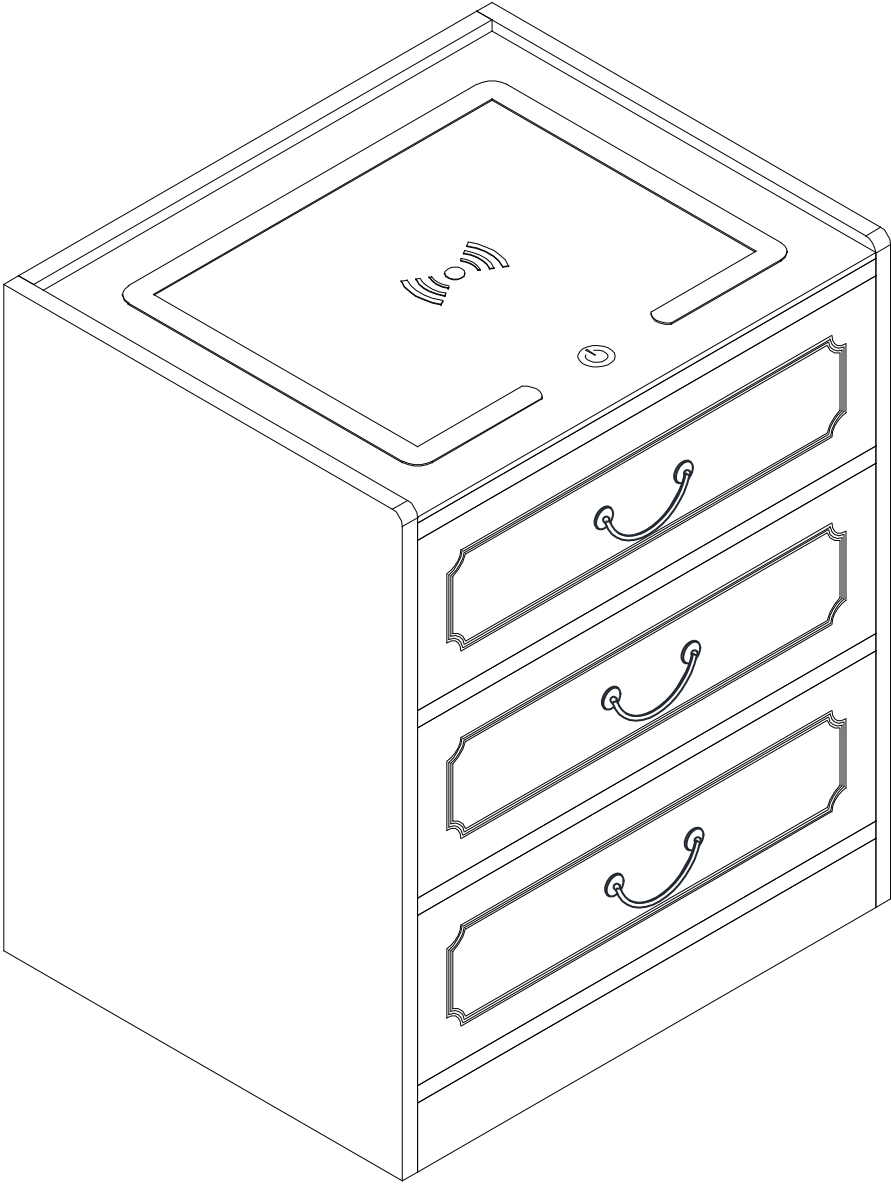
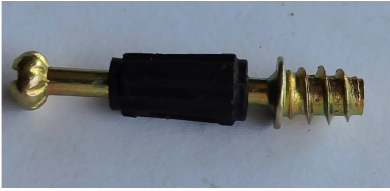


ASSEMBLY INSTRUCTION





Ax48



Bx48



Cx2



Dx6



Ex6



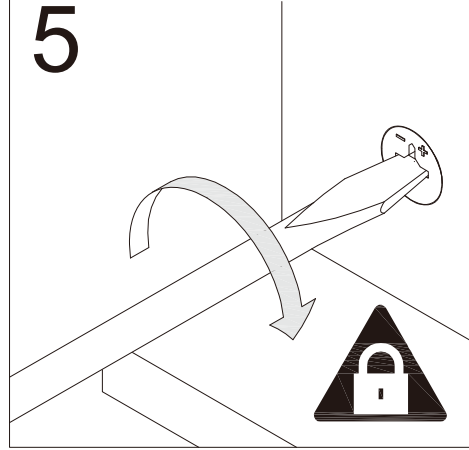
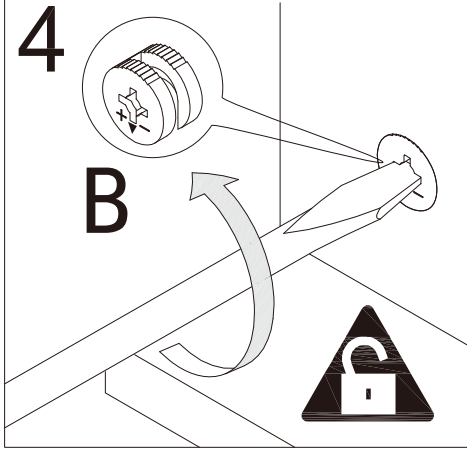
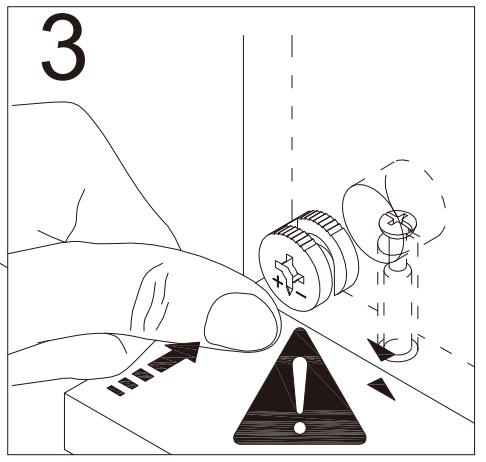
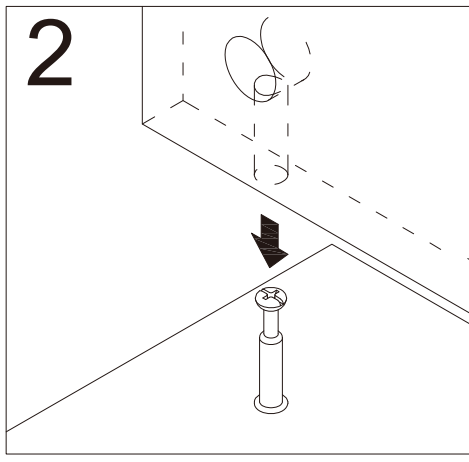
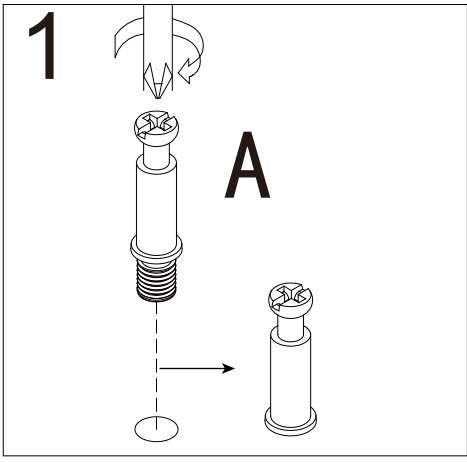
Fx3

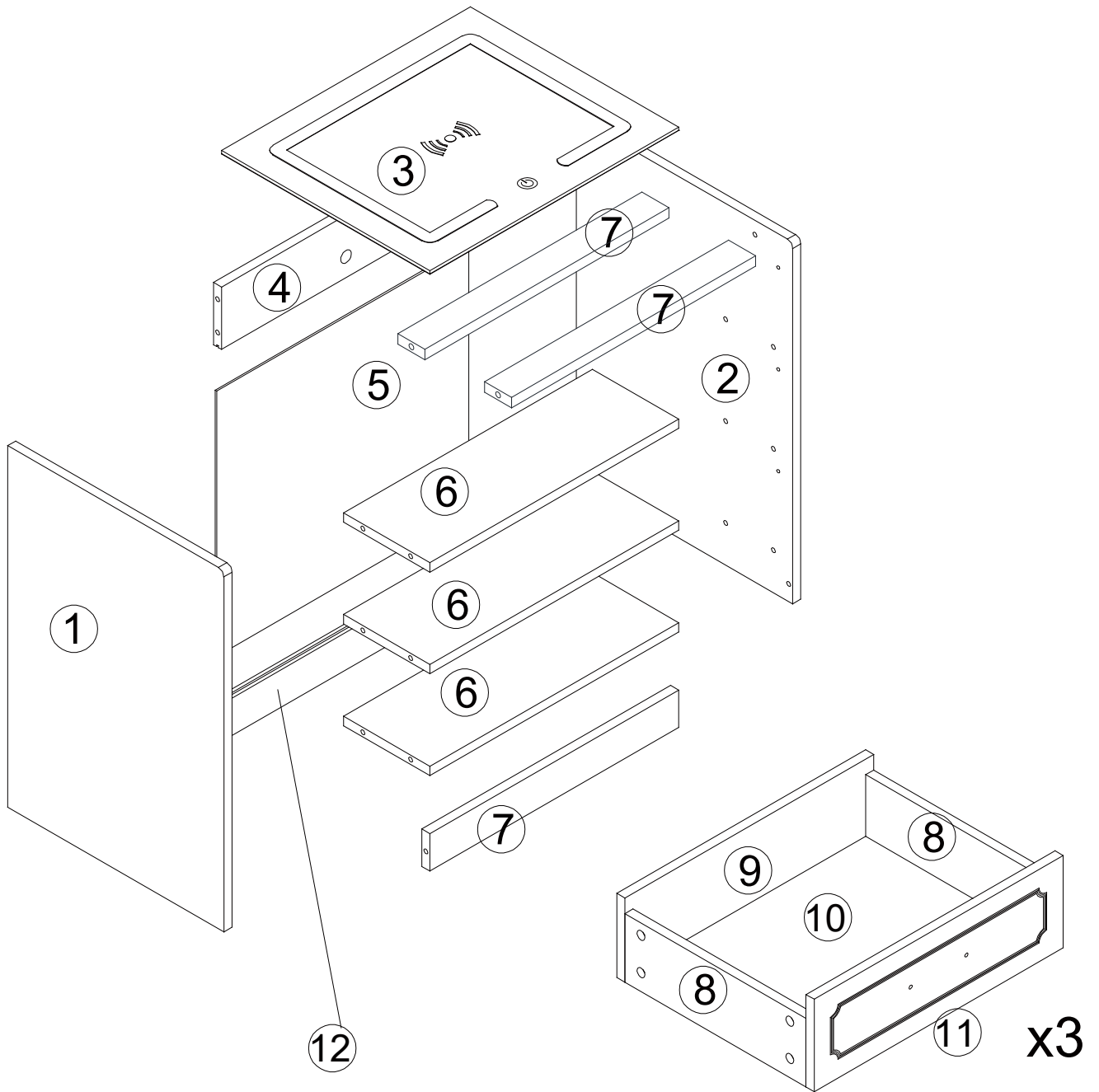


Gx1



Jx1

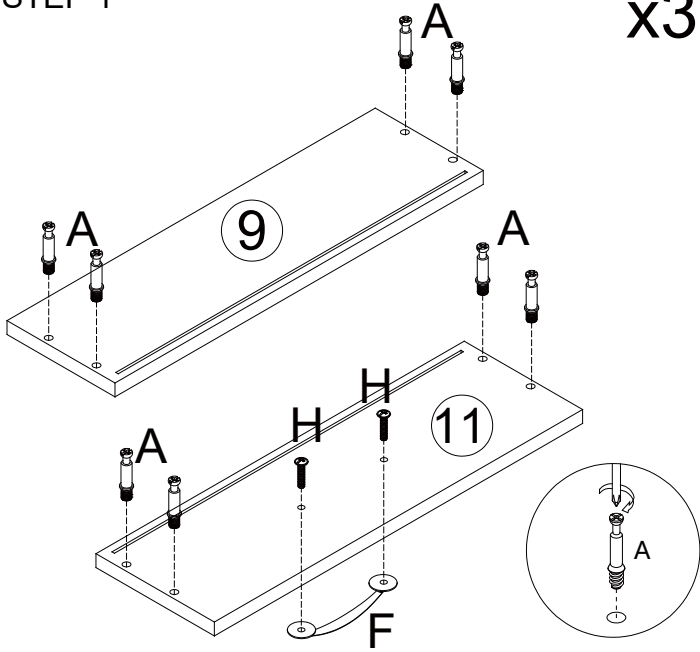




1 - x1	6 - x3	11 - x3
2 - x1	7 - x3	12 - x1
3 - x1	8 - x6	
4 - x1	9 - x3	
5 - x1	10 - x3	

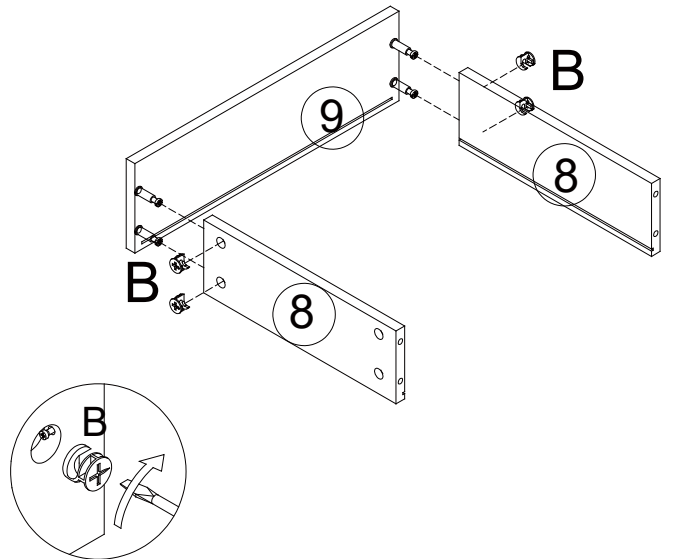
STEP 1

x3



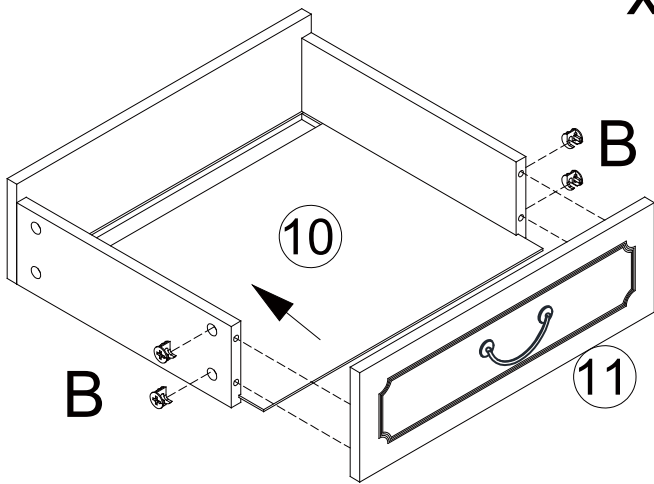
STEP 2

x3

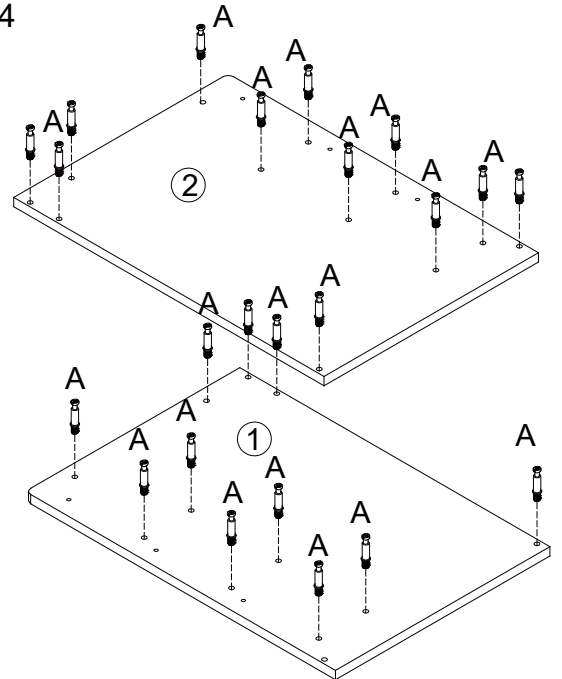


STEP 3

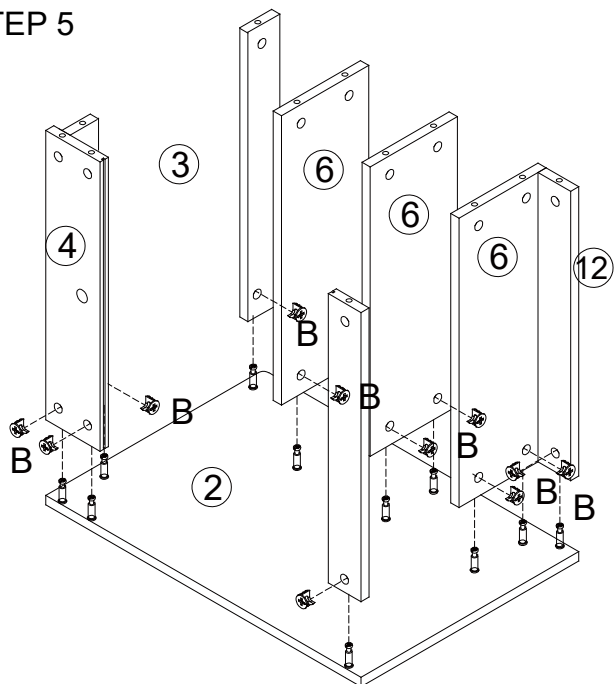
x3



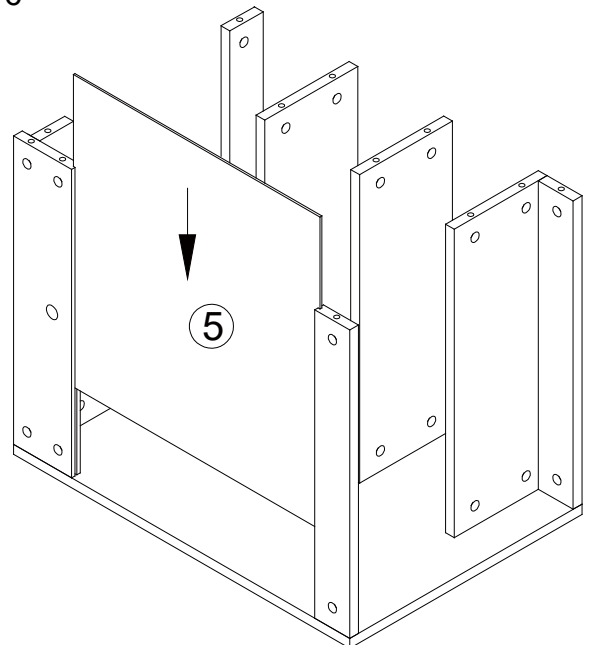
STEP 4



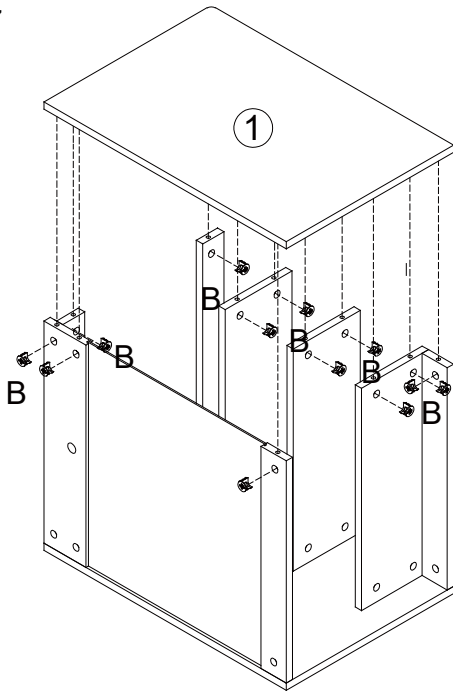
STEP 5



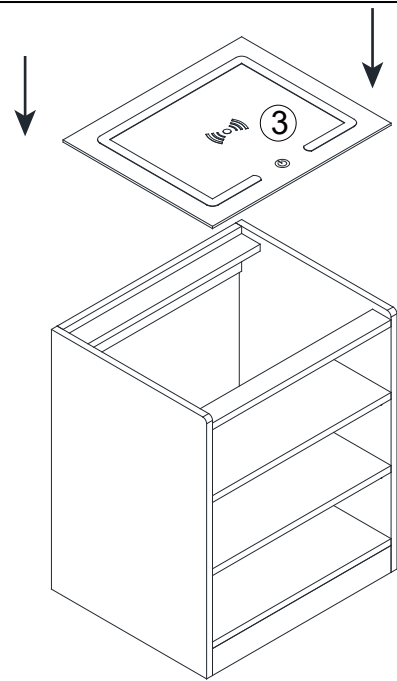
STEP 6



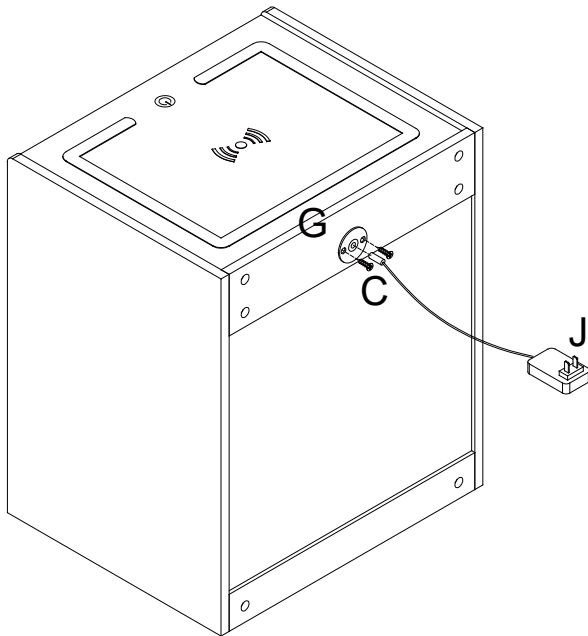
STEP 7



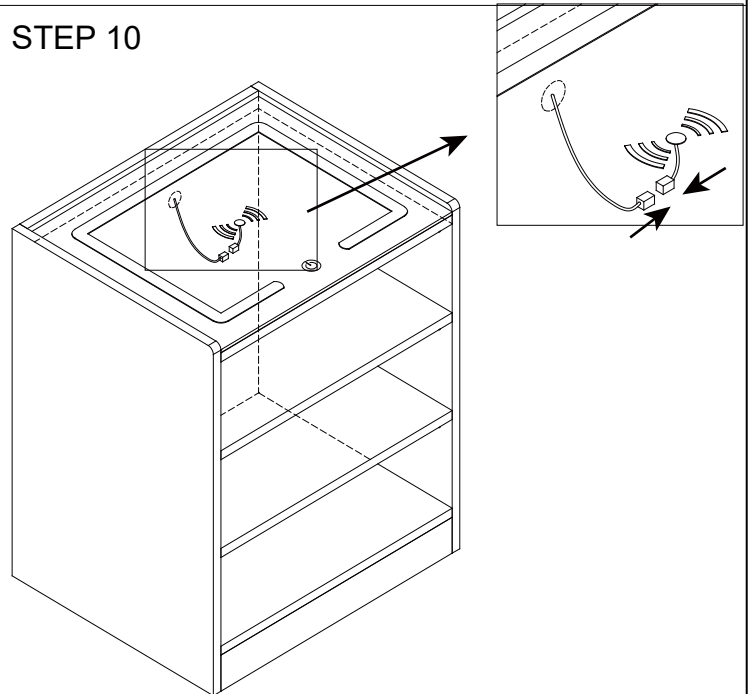
STEP 8



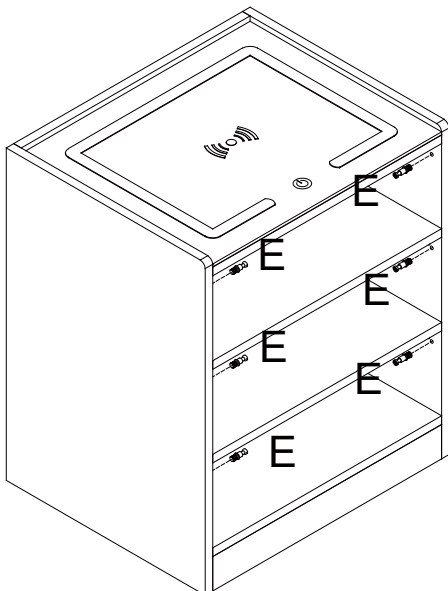
STEP 9



STEP 10



STEP 11



STEP 12

